



Supply to be taken to L N E as required

- 1 - Connect to Fan Override / Summer terminal
- 2 - Connect to Heat On / Demand
- 3 - Connect to Hi Fire terminal 1
- 4 - Connect to Hi Fire terminal 2
- 5 - Connect to Lockout Indicator
- 6 - Connect to Lockout Reset

Tie CPC into Main Earth Terminal



Unit 5 Brookfield Drive, Cannock, WS11 0JN  
 Tel: 01543 422 011  
<http://www.pwmaintenance.co.uk>  
 Email: [office@pwmaintenance.co.uk](mailto:office@pwmaintenance.co.uk)

NYJ 3-Core Cable  
 Select 1.5mm / 2.5mm csa as necessary

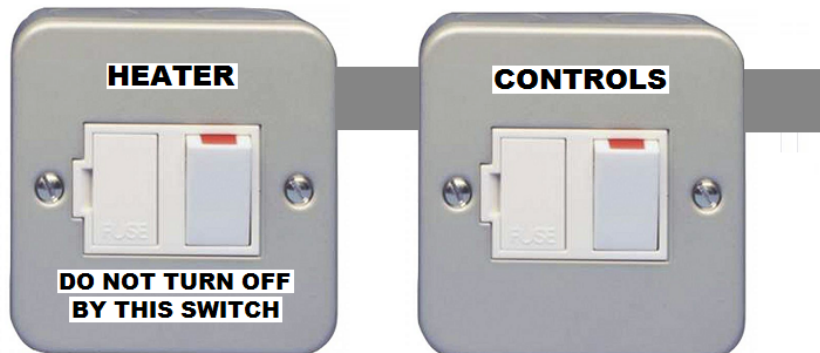


NYJ 7-Core Cable  
 1.5mm csa



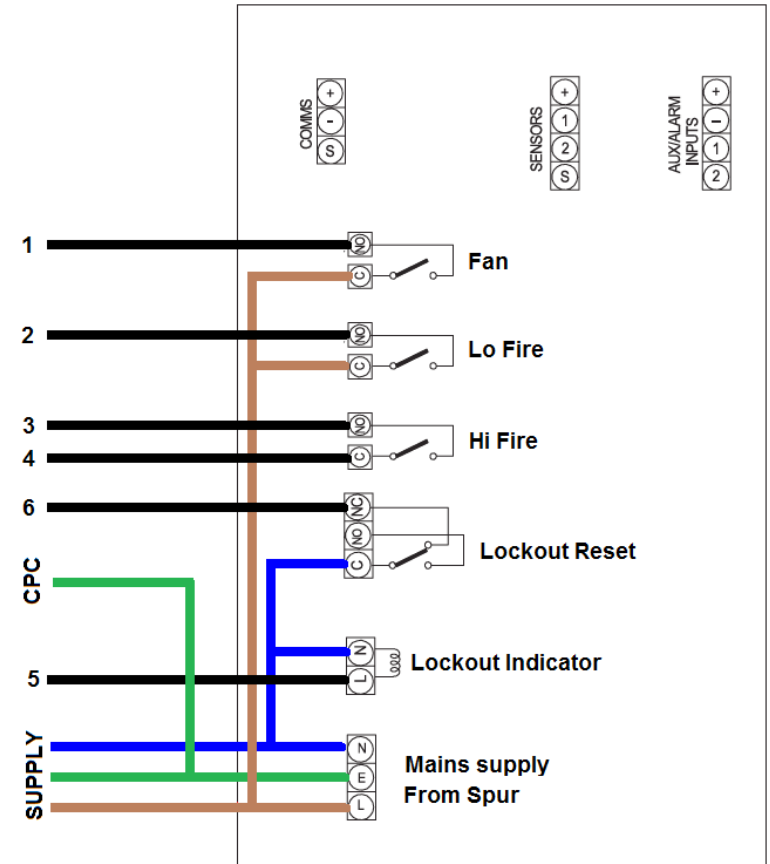
Take cables via spur to IQ+

Customers Supply In  
 230V 1-Phase



Supply wired to live or in  
 Heater wired to load or out  
 Controls spur wired to load or out

Supply wired to live or in  
 IQ+ wired to load or out



Links to be installed on site using 1.5mm csa wire

Spurs fixed to wall and use of 20mm coupler and brass bushed to join spurs to IQ+ controller